

Installation manual for s32



Table of contents

1. Introduction and disclaimer	3
2. Foundation and site preparation	4
4. Unloading and moving the kiosk	5
5. Unpacking	6
6. Installing the Base Frame	7
7. Mounting the kiosk on the Base Frame.....	8
8. Mounting the kiosk on the Concrete Base.....	9
9. Securing the kiosk to a wall	10
10. Kiosk cabling.....	11
10.1 Main power switch connections	12
10.2 Mains cabling - no router, no roof.....	13
10.3 Ethernet cabling - no router	14
10.4 Mains cabling - with router.....	15
10.5 Ethernet cabling - with router.....	16
10.6 Mains cabling - with router & roof	17
11. Kiosk power up	18
12. Site Acceptance Test (SAT)	19
13. Cleanup	20
14. Appendix.....	21
14.1 Health and safety information.....	21
14.2 Network configuration.....	22
14.3 Router connections	23
14.4 Kiosk dimensions	24
14.5 Roof dimensions	25
14.6 Concrete Base dimensions.....	26
14.7 Misc mechanical info	27
14.8 Kiosk opening.....	28

1. Introduction and disclaimer

This document describes the approved procedures for installing a Sharebox s32 kiosk.

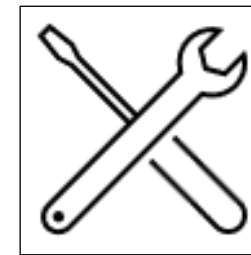
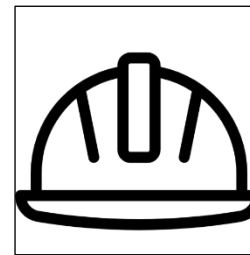
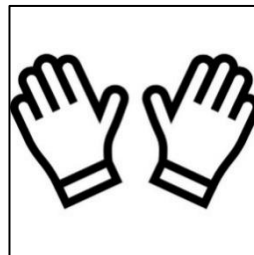
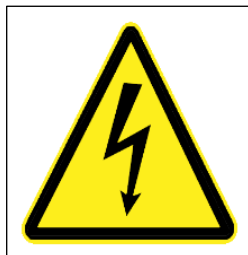
Disclaimer: The kiosk must be installed exclusively by qualified technicians and certified electricians.

Because of the kiosk's size, weight, and connection to mains power, installing this unit carries a significant risk of severe injury or death. For detailed information on these hazards, along with required personal protective equipment (PPE), legal obligations, and insurance requirements, refer to chapter 14 below.

Please review and understand the complete installation procedure before positioning the kiosk.

Warning: Power must remain disconnected while moving the kiosk and when pulling or attaching cables.

Examples of risks, personal protective equipment (PPE) and tools



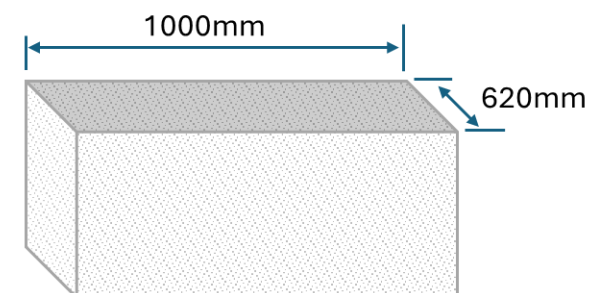
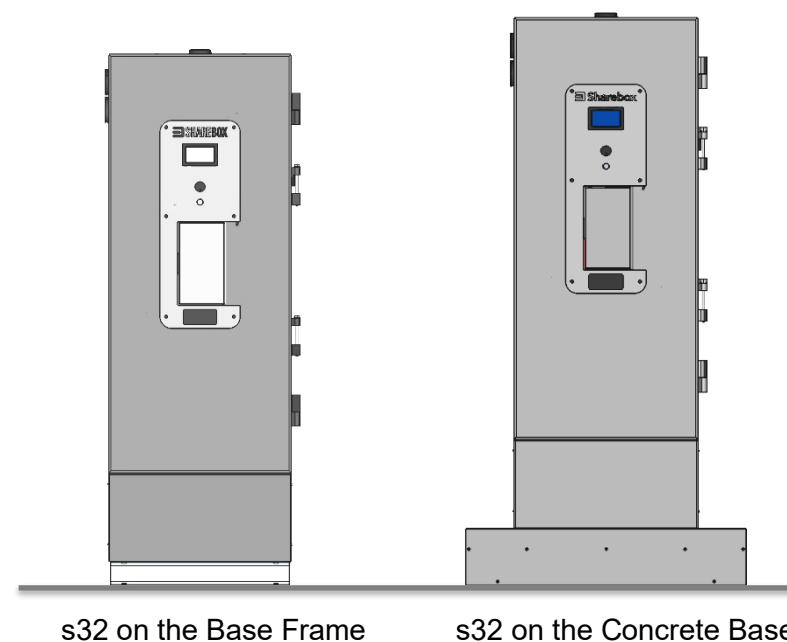
2. Foundation and site preparation

The s32 kiosk can be installed using one of two methods:

- On the included Base Frame secured to the ground or to a wall (recommended): Provides optimal stability, accessibility and a cleaner overall appearance.
- On the Concrete Base secured to the ground (when Base Frame not possible): This option may not comply with accessibility requirements for individuals with disabilities.

Before installing the kiosk in its designated location, ensure the surrounding area is properly prepared. If the surface is not solid concrete (e.g. asphalt), a concrete slab must be cast into the ground. This also provides an effective way to level the kiosk's footprint.

Please refer to the Site preparation manual for details.



Concrete slab layout

4. Unloading and moving the kiosk

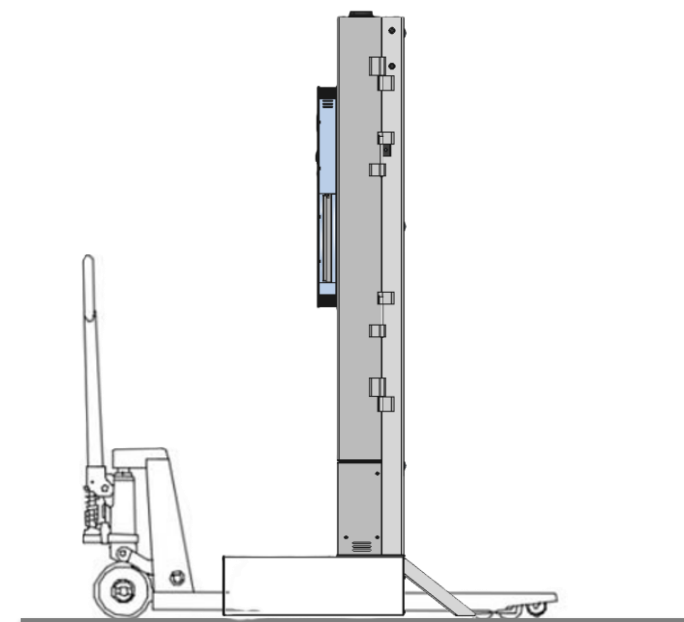
Preparations:

Use a pallet truck when moving the kiosk. Before starting, make sure the lorry bed and tail lift are level and stable to avoid shifting or tipping. Ensure the tail lift can hold more than 750 kg (1,654 lbs) to support the kiosk safely.

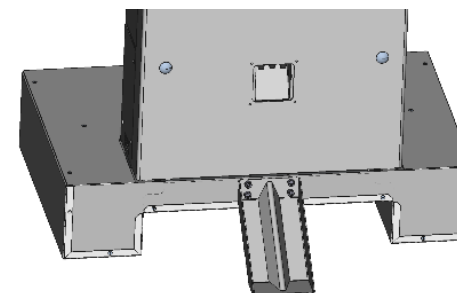
Moving the kiosk:

To prevent tipping, position the kiosk on the pallet truck as shown in the illustration to the right. Ensure the pallet truck forks are fully inserted before moving the kiosk, and take particular care to prevent it from tipping backwards.

Note that the Concrete Base's transport support is installed to prevent the kiosk from tipping backwards during handling.



s32 with Concrete Base on a pallet truck



Concrete Base with transportation support

5. Unpacking

Important reminder:

Unpacking the kiosk can be hazardous due to its weight and potential instability. Ensure the kiosk is resting level on the ground before starting.

Unpacking:

Remove all screws carefully - do not use force or break panels open.



s32 kiosk packed inside its wooden shipping crate.
(The red arrow shows the location of the Base Frame)

6. Installing the Base Frame

Normally, the kiosk shall be mounted using the Base Frame, which is delivered together with the kiosk. The Base Frame also provides corrosion protection for long-term durability.

Use the Base Frame as a template to mark and drill the mounting holes. Ensure the 'BACK arrow' on the frame points toward the back of the kiosk. Level the frame if needed, then secure it to the ground. Slotted holes on the Base Frame allow minor adjustments.

For secure anchoring, each bolt must have at least 70 mm clearance from the slab edge.

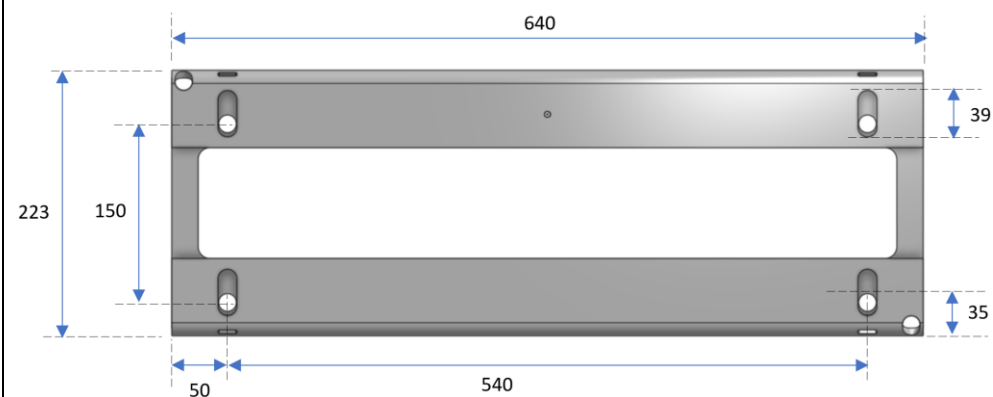
The Base Frame shall be secured to the ground using four expansion bolts such as *Hilti HST2-F Wedge anchor*:

Bolt size	M12 (4 pcs)
Bolt-length	105mm
Drill bit diameter	12mm
Depth of drill-hole	90mm
Torque moment for the nuts	40Nm

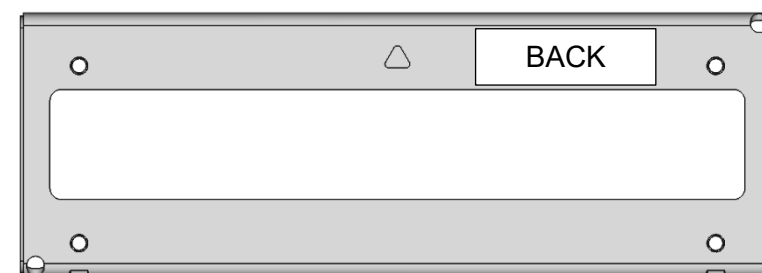
Drill holes for four expansion anchors and install them in accordance with the manufacturer's instructions.

Bolts for fastening the Base Frame to the ground are provided in the shipment.

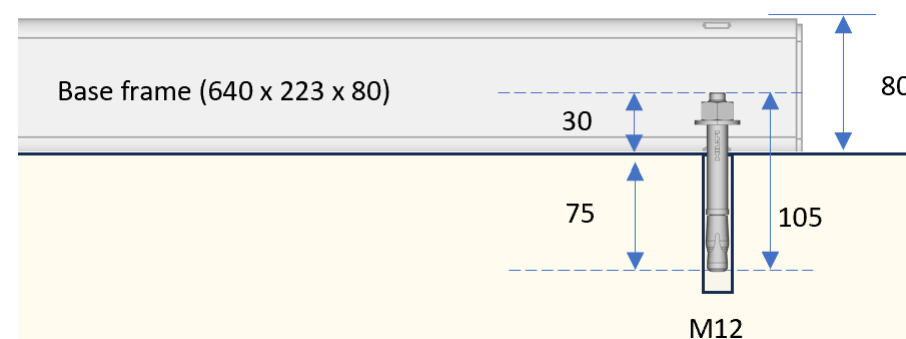
For free-standing installations, position the kiosk centrally on the concrete slab.



Base Frame bottom view



Base Frame top view



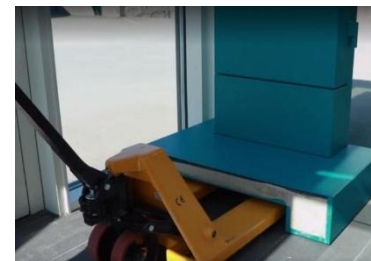
7. Mounting the kiosk on the Base Frame

Important reminder:

Moving and lifting the kiosk can be hazardous due to its weight and size. A motor crane, forklift, or similar lifting device equipped with heavy-duty slings is required. The equipment must have a lifting height of more than 2 meters and a weight capacity exceeding 500 kg.

Installation Steps:

1. Move the kiosk close to the concrete slab using a pallet truck.
2. Remove the plastic protection caps and install the lifting brackets provided in the shipment. Protect the kiosk surface from damage to prevent future corrosion issues.
Note: Keep the protection caps for reuse later.
3. Secure the kiosk with a chain to prevent tipping. Use a forklift or similar lifting device and carefully raise the kiosk until the slings are taut.
4. Remove the low front cover of the kiosk.
5. Loosen the four nuts securing the kiosk to the Concrete Base.
6. Lift the kiosk from the Concrete Base and position it onto the Base Frame.
7. Use a wrench to tighten the bolts between the kiosk and the Base Frame.
8. Remove the lifting brackets, apply Tectyl anti-corrosion compound and install the plastic protection caps on the eyebolt lifting threads to prevent corrosion.
<https://tectyleurope.com/product/47/en/>



8. Mounting the kiosk on the Concrete Base

Important Notice:

The Concrete Base is intended for transportation. Permanent installation of the kiosk on this base may not provide adequate accessibility, particularly for wheelchair users. Compliance with international accessibility requirements is the responsibility of the installer.

Installation Steps:

After aligning the kiosk and Concrete Base on the correct position on the concrete slab, remove the Concrete Base's metal top plate by unscrewing the eight Torx screws (T25).

Once removed, the two mounting holes for the expansion bolts will be visible. Pre-drill one hole on each side of the slab using the Concrete Base holes as a template.

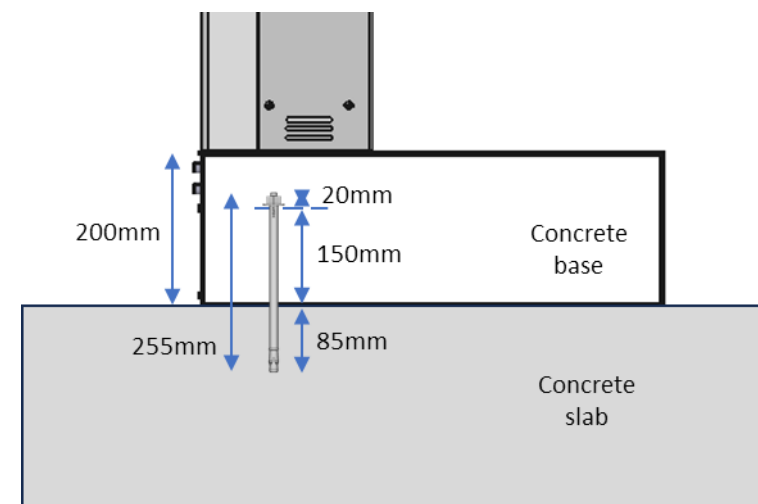
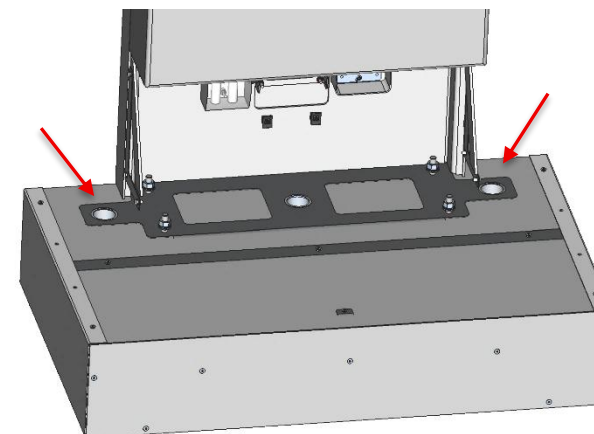
The Concrete Base shall be secured using two expansion bolts such as *Hilti HST3 Wedge anchor*

Bolt size	M12 (2 pcs)
Bolt-length	255mm
Drill bit diameter	12mm
Depth of drill-hole	100mm
Torque moment for the nuts	60Nm

Bolts for fastening the kiosk with the Concrete Base to the ground are NOT provided in the shipment.

Drill holes for two expansion anchors and install them in accordance with the manufacturer's instructions.

Tighten the two nuts to secure the metal base to the anchors in the ground.



9. Securing the kiosk to a wall

The kiosk can be anchored to a concrete wall using appropriate bolts mounted through the back side of the kiosk. To access the upper four mounting holes, the kiosk's main compartment must be opened (see the illustration in chapter 14.7). Please contact the Sharebox Operations team for assistance (a secret PIN code is required).

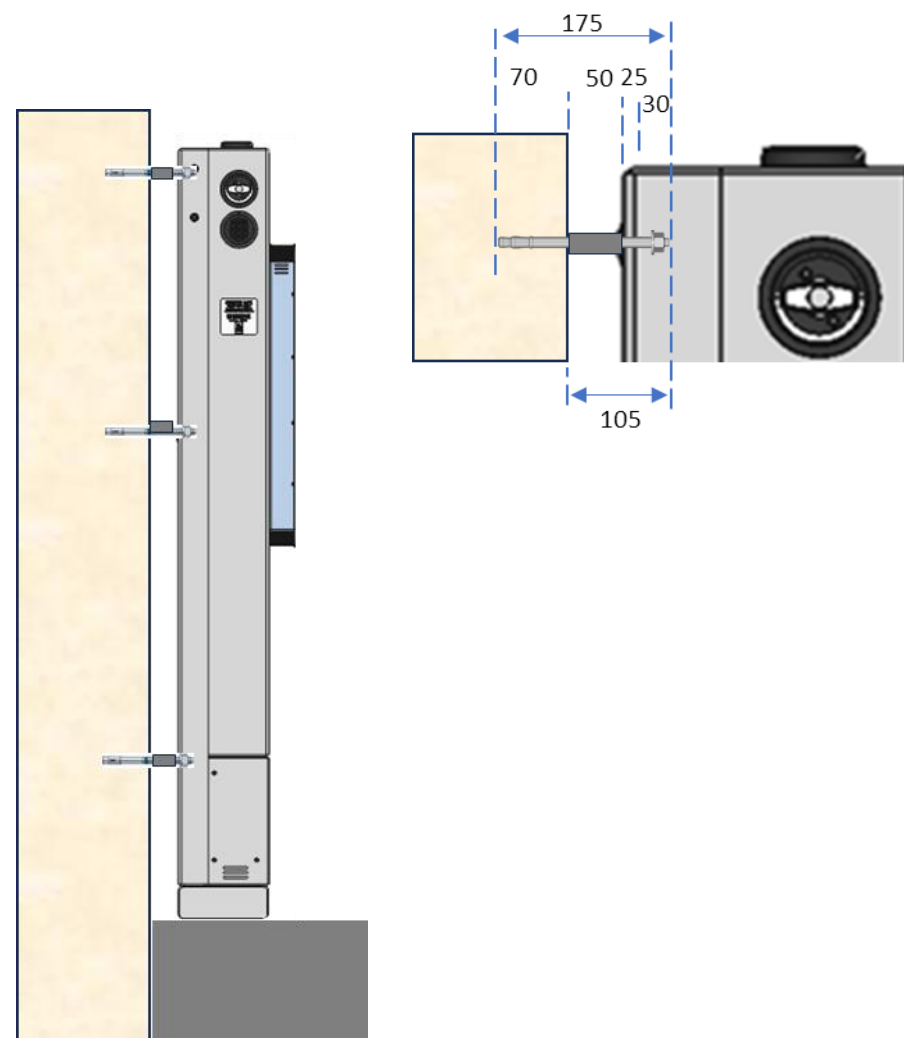
The kiosk shall be secured using at least four of max six expansion bolts such as *Hilti HST2-F Wedge anchor*:

Bolt size	M12 (4 pcs)
Bolt-length	175mm
Drill bit diameter	12mm
Depth of drill-hole	80mm
Torque moment for the nuts	40Nm

Use the kiosk as a template to ensure correct hole positioning. Drill the holes according to the manufacturer's specifications and install the anchors as instructed.

Bolts for fastening the kiosk with the Base Frame to the wall are NOT provided in the shipment.

When placing the kiosk near a building, maintain a minimum clearance of 50 mm between the kiosk and the wall. Use 50 mm spacers to ensure the required distance.



10. Kiosk cabling

Safety Warning:

Working around the kiosk involves potential hazards. Ensure the kiosk is securely anchored before starting any work.

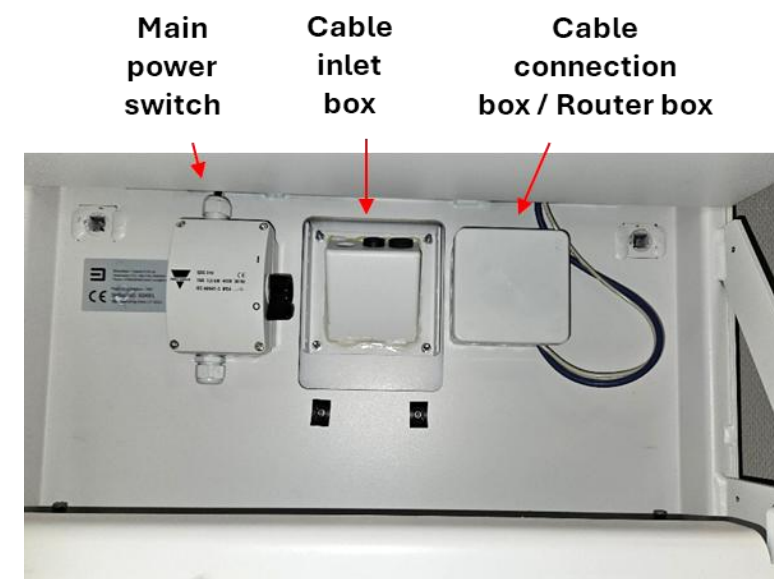
All work involving mains power must be carried out by a qualified electrician.

Always disconnect the mains power supply before carrying out any electrical work.

Cable specs:

Cable intended for:	Cable-spec:	To be connected via:
Main power (110VAC or 230VAC)	H07RN-F 3G1.5 mm ²	Main power switch (Carlo Gavazzi SDS316)
Ethernet	Cat 5 or better. Shielded	Cable connection box RJ45 Grounded
<u>Optional equipment:</u>		
Alarm output	H05RN-F 2x0.75 mm ²	Cable connection box. Use Wago splicing connector or similar (reconnectable)
Sliding door relay	Specified in separate manual	Cable connection box. Use Wago splicing connector or similar (reconnectable)
Router (Ethernet)	Cat 5 or better. Shielded	Router box

Note: Embed the cables in conduits in the ground or within the concrete slab. Use double-insulated, outdoor-rated cables that comply with local AC installation standards and protect them with metal tubing to prevent damage and ensure a clean, concealed entry point.



Main components in the s32 connection area (Router box not shown)



Wago splicing connector

10.1 Main power switch connections

The table below shows where the different mains cables shall be connected inside the main power switch:

Mains cable	Main power switch connections			
	Standard kiosk	Router option	Roof option	Router & Roof option
From building	Lower	Lower	Lower	Lower
To 230VAC power supply	Upper	Upper	Upper	Upper
To power strip	-	Upper	-	Upper
To kiosk roof	-	-	Lower	Lower

All required connections for installation are located in the connection area, so opening the kiosk's main module is not necessary.

See next chapters for additional information.



Main power switch



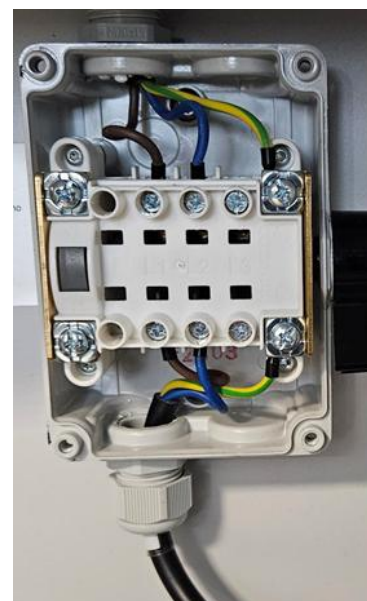
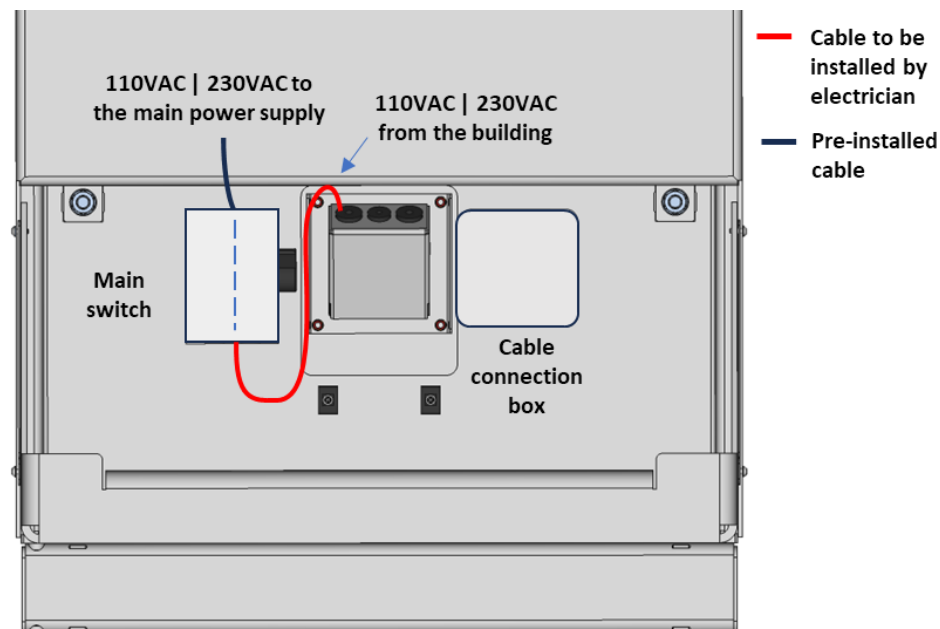
Mains power strip inside the s32 main module.
(This is pre-installed from the factory)

10.2 Mains cabling - no router, no roof

AC main connection:

Feed the mains power cable into the kiosk through the Base Frame (bottom entry) or via the cable inlet box.

Connect the wires to the main switch as shown in the illustration on the right.



← Brown, Blue, Yellow/Green

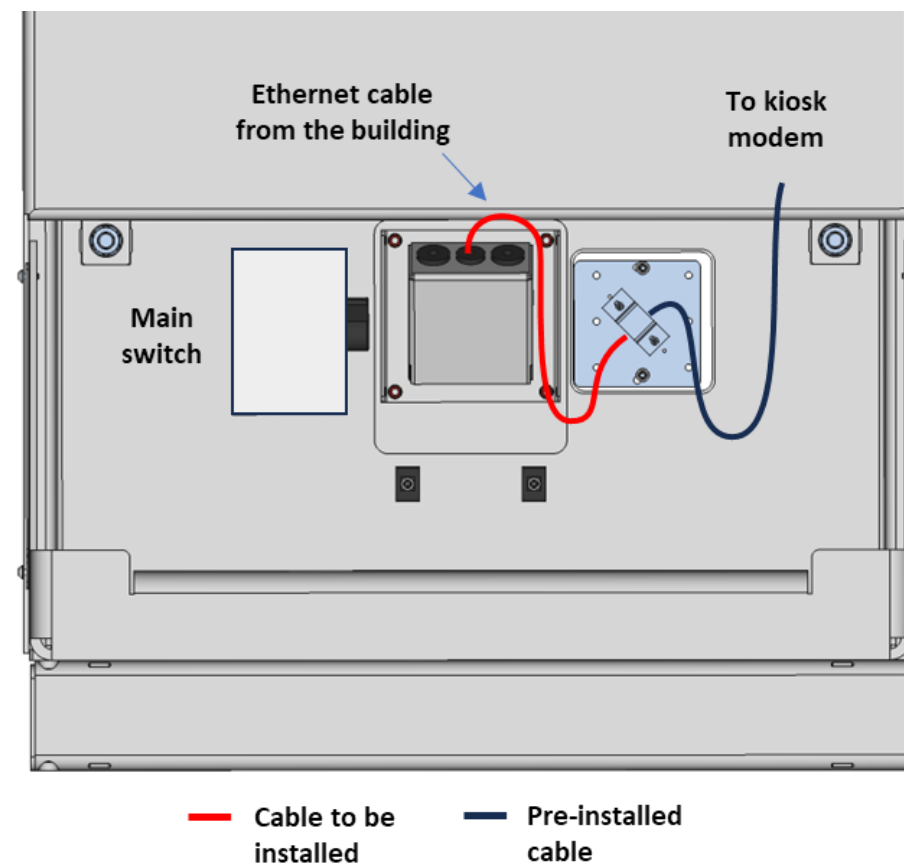
← Brown, Blue, Yellow/Green

Brown = L (Line)
 Blue = N (Neutral)
 Yellow, Green = PGND (Ground)

10.3 Ethernet cabling - no router

Feed the ethernet cable into the kiosk through the Base Frame (bottom entry) or via the cable inlet box.

Connect the external Ethernet cable to the kiosk's built-in Ethernet cable using the connection box, as shown in the illustration on the right. A female-to-female RJ45 coupler is included in the connection box.

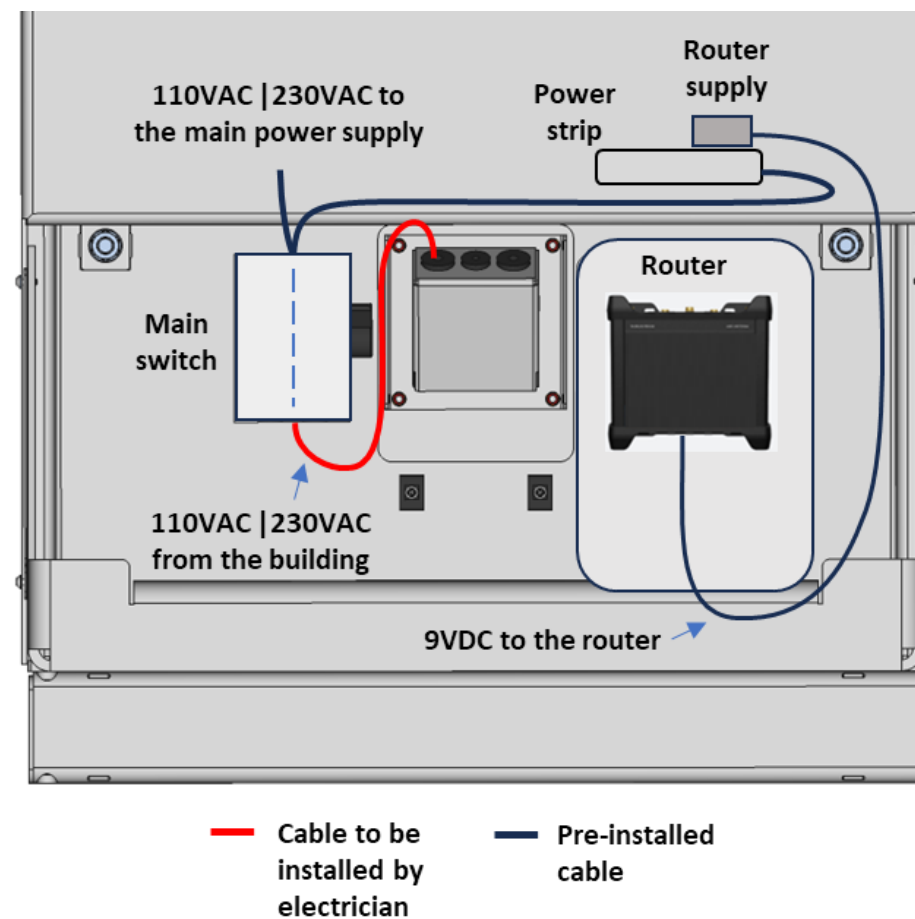


10.4 Mains cabling - with router

AC main connection:

Feed the mains power cable into the kiosk through the Base Frame (bottom entry) or via the cable inlet box.

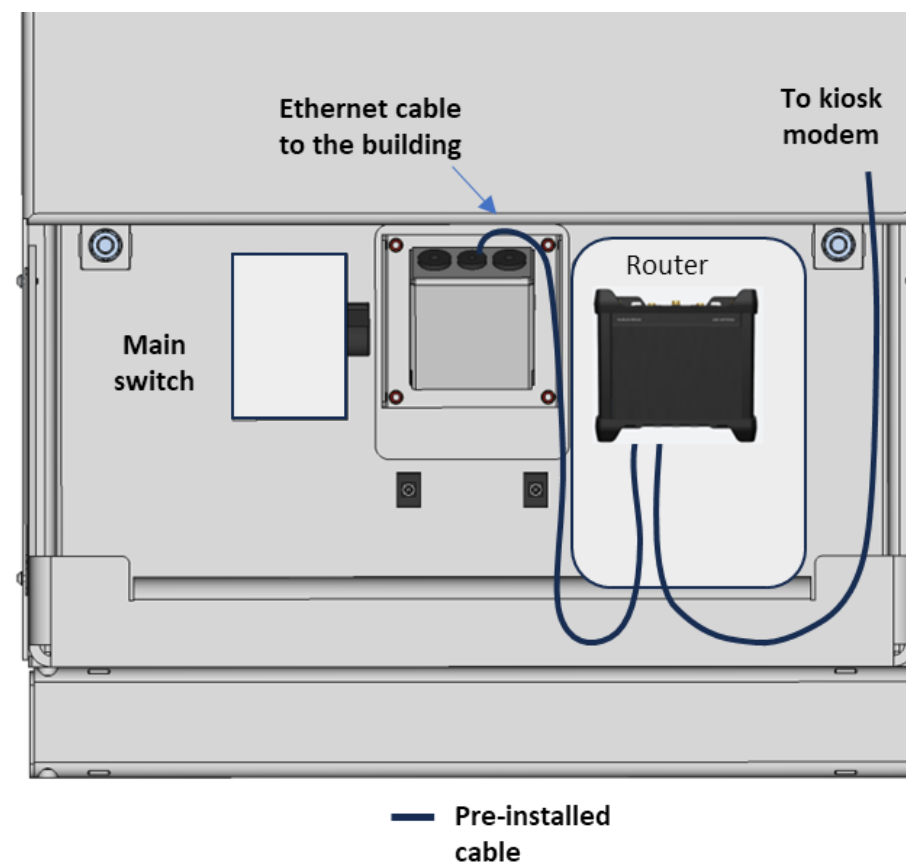
Connect the wires to the main switch as shown in the illustration on the right.



10.5 Ethernet cabling - with router

The kiosk includes a five-meter Ethernet cable that is pre-connected to the router at one end. Feed this cable through the Base Frame (bottom entry) or via the cable inlet box to the building, as shown in the illustration on the right.

See chapter 14.3 for more information on the router connections if needed.



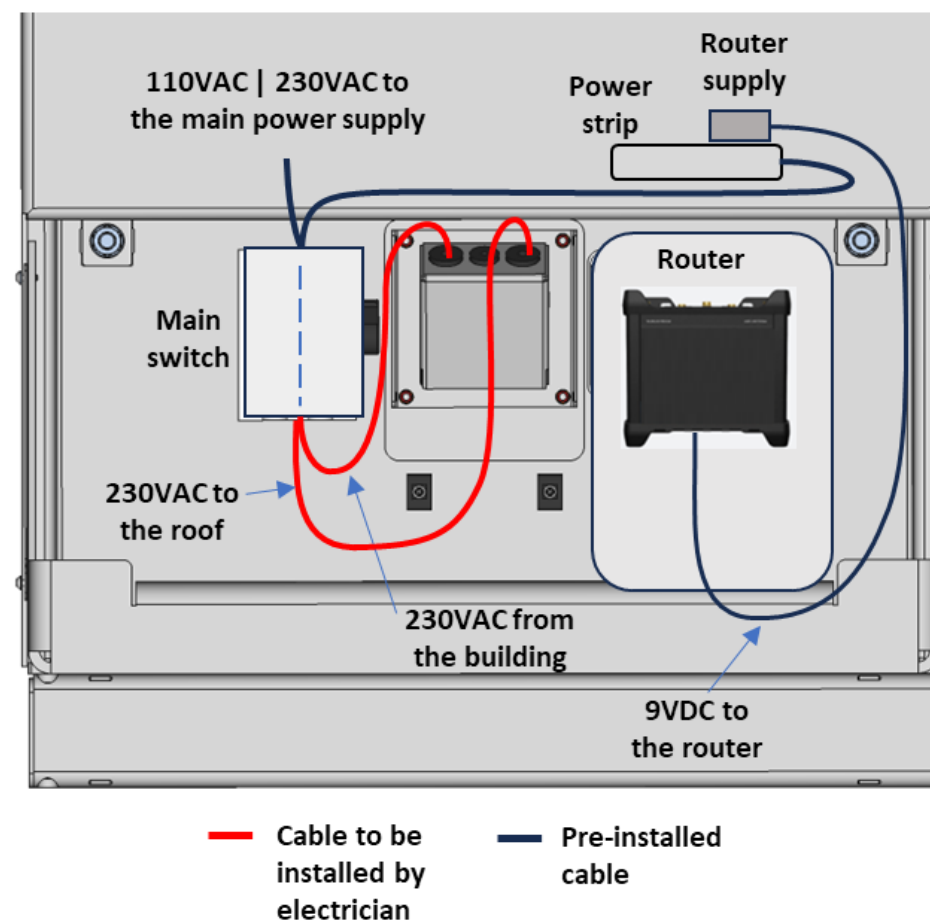
10.6 Mains cabling - with router & roof

AC main connection:

Feed the mains power cable into the kiosk through the Base Frame (bottom entry) or via the cable inlet box.

Feed the mains power cable to the roof via the cable inlet box.

Connect the wires to the main switch as shown in the illustration on the right.



11. Kiosk power up

After connecting the external cables, set the main power switch to position '1' to power up the kiosk.

After a short moment, the boot image will appear on the display, followed shortly by the customer GUI.

Once everything looks correct, mount the cover plate over the connection area.

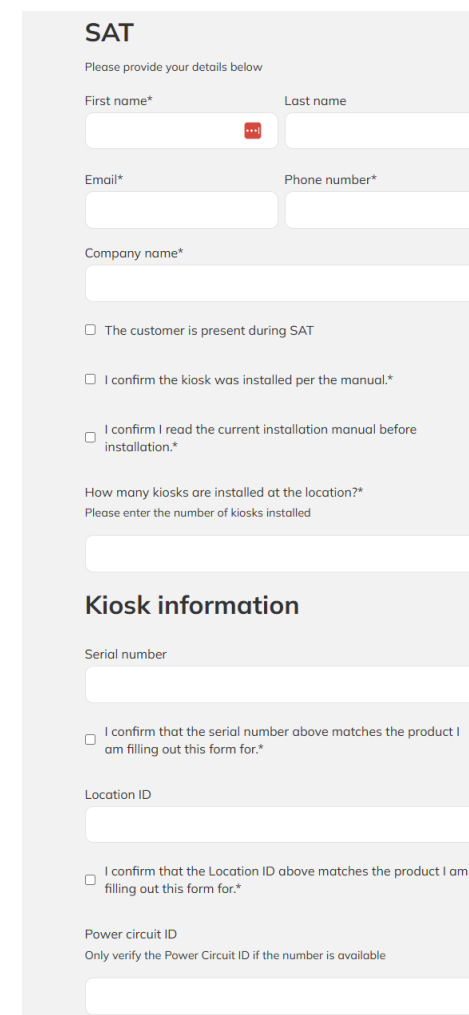


12. Site Acceptance Test (SAT)

There are two Site Acceptance Tests (SAT) that must be completed to confirm a correct kiosk installation:

1. **Installation SAT** – to be completed on-site by the installation team to verify that the kiosk has been installed correctly according to the installation requirements.
2. **Service Menu SAT** – to be performed remotely by a Sharebox Operations team to confirm that the kiosk is functioning properly while the installation team is still on site.

To carry out these tests, please contact Sharebox Operations team at +47 4043 4444.



The screenshot shows a web form titled "SAT". It begins with the instruction "Please provide your details below". The form contains several input fields: "First name*", "Last name", "Email*", "Phone number*", and "Company name*". Below these are three checkboxes for confirmation: "The customer is present during SAT", "I confirm the kiosk was installed per the manual.*", and "I confirm I read the current installation manual before installation.*". A question "How many kiosks are installed at the location?*" is followed by a text input field. The "Kiosk information" section includes "Serial number" and "Location ID" input fields, each with a corresponding confirmation checkbox. The final section is "Power circuit ID" with a note "Only verify the Power Circuit ID if the number is available" and an input field.

Screenshot from the Instalation SAT form

13. Cleanup

After installing the kiosk, make sure the area is clean, safe, and tidy. This step gives the installation a professional finish and shows care for the surroundings.

Site tidiness

Remove all packaging materials, tools, and debris from the installation area.

Sweep or wipe down surfaces to eliminate dust and residue.

Ensure the kiosk is clean and presentable for immediate use or inspection.

Waste sorting and recycling

Sort all waste properly according to local recycling regulations.

Separate materials such as cardboard, plastic, metal, and electronic components.

14. Appendix

14.1 Health and safety information

Risks

There is a risk of crushing when lifting or positioning the Concrete Base or kiosk. The kiosk is heavy and may tip over during handling. High voltage also poses a serious hazard, including electric shock, burns, and fire.

The electrical circuit must remain switched off during lifting, placement, and while pulling or connecting cables.

Personal Protective Equipment (PPE)

Always wear appropriate PPE, including gloves, safety boots, helmets, and goggles.

Legal & insurance compliance

To comply with insurance and safety standards (e.g. VdS in Germany and FG Skadeteknikk in Norway), kiosks must be securely anchored. The tear-away resistance required to pull the kiosk and the foundation from the floor or wall must be at least 1000 kg.

All Sharebox s-kiosks must be securely anchored to a solid ground surface or to a wall.

14.2 Network configuration

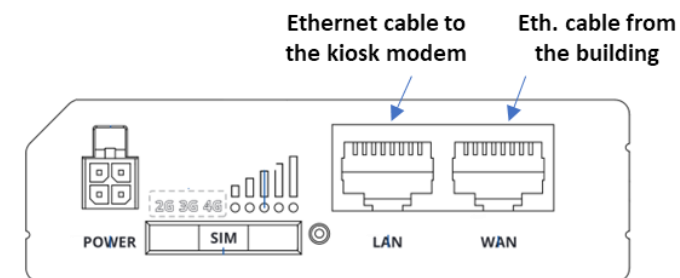
To ensure seamless communication between your Sharebox kiosk(s) and Sharebox systems, please notify the responsible IT network administrator to configure your firewall and network settings according to the instructions provided in the following link:

<https://sharebox.atlassian.net/servicedesk/customer/portal/70/article/371720204?source=topic>

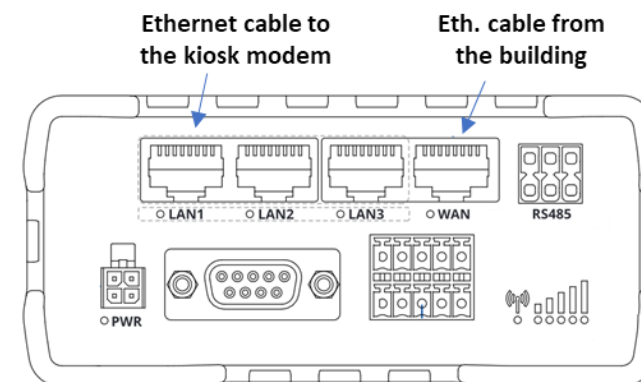
14.3 Router connections

The connections for the different router variants is shown in the illustrations to the right.

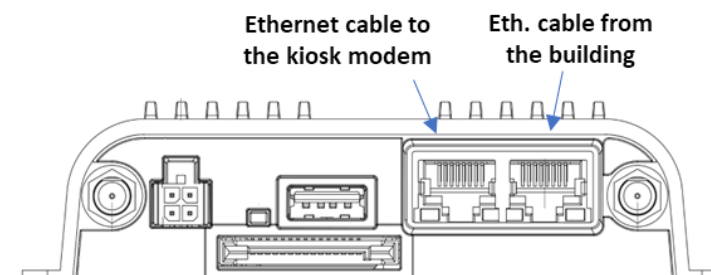
Teltonika
RUT241 router



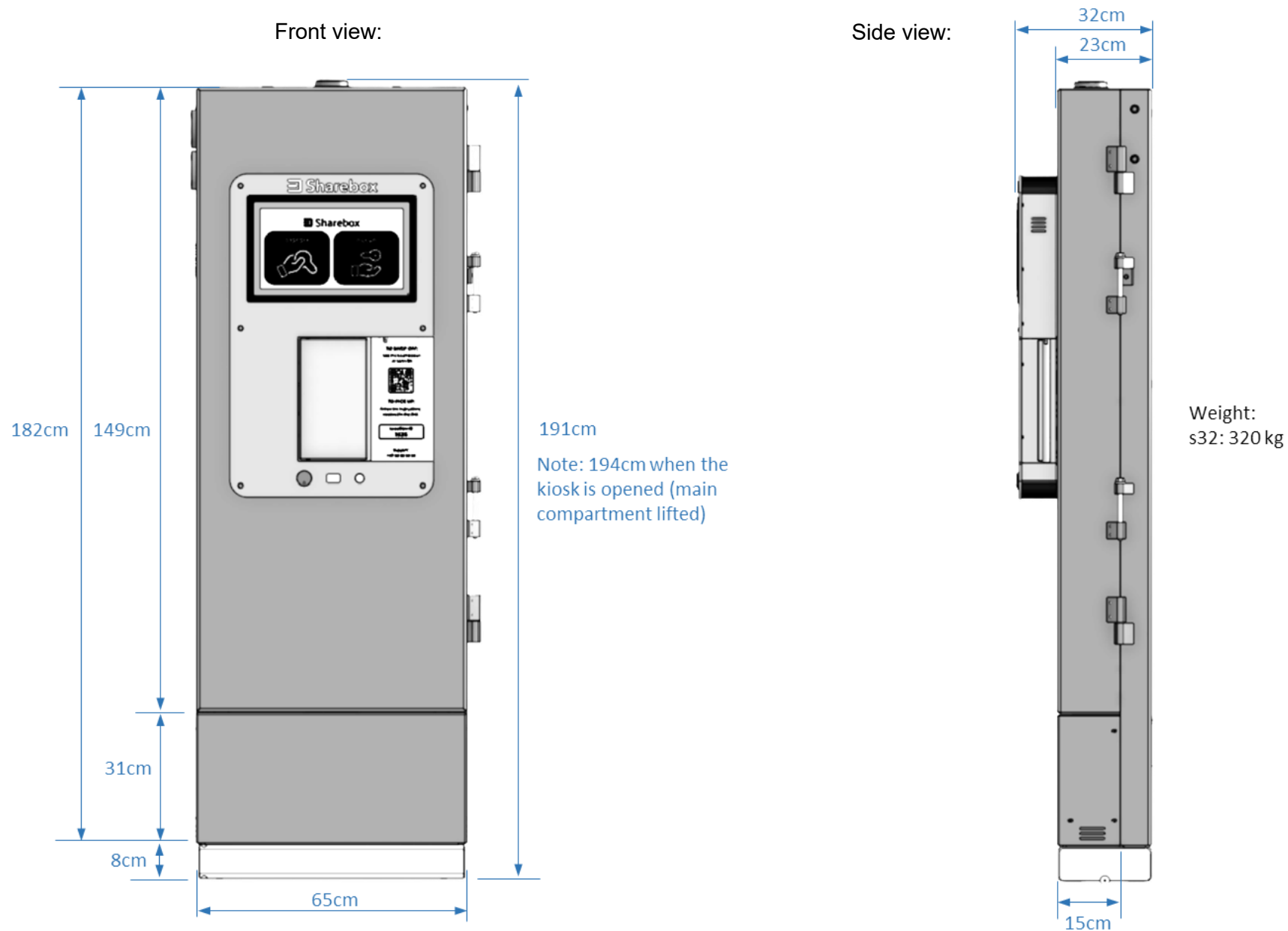
Teltonika
RUT956 router



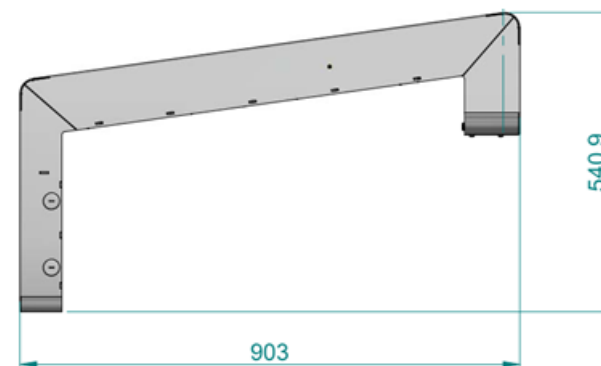
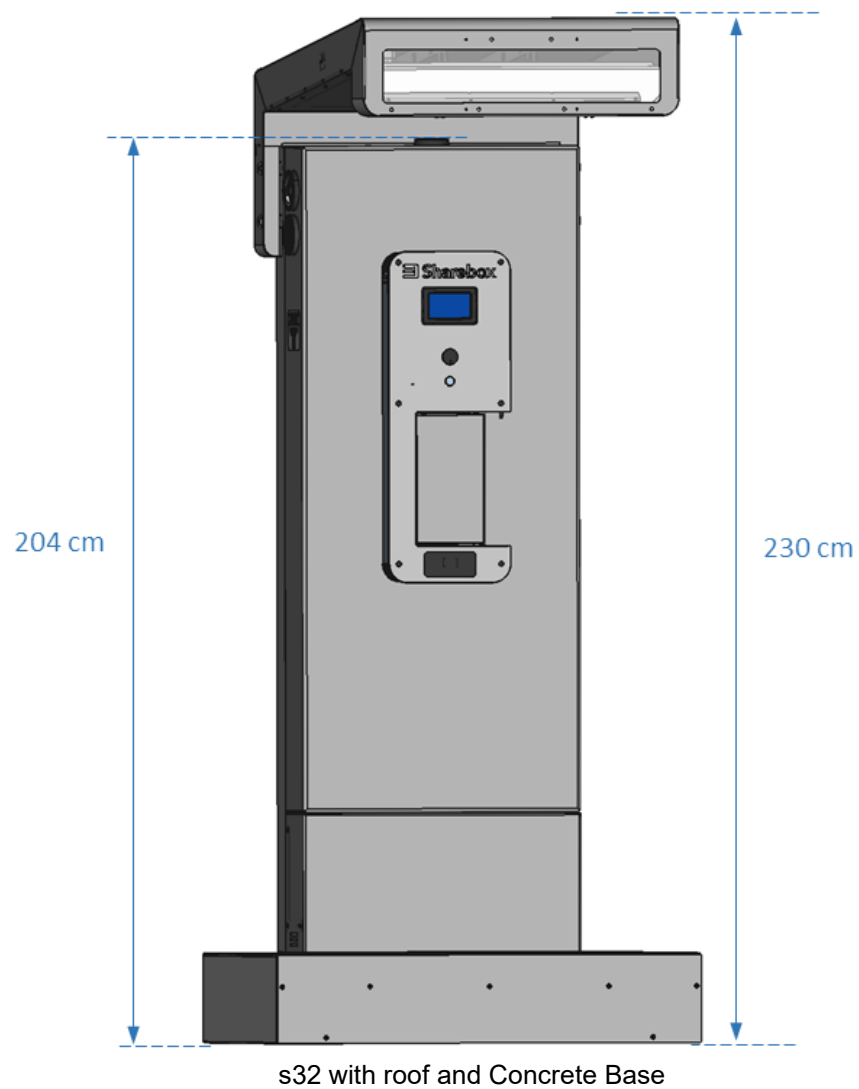
Cradlepoint
IBR900 router



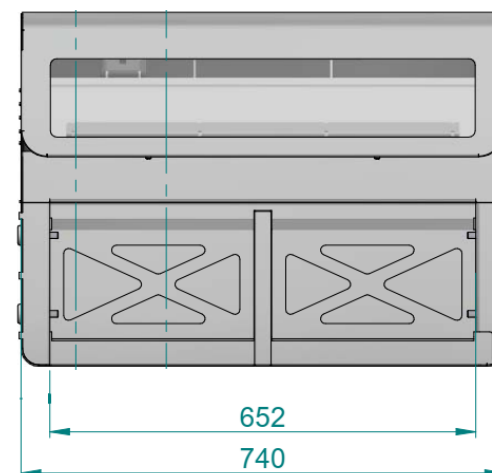
14.4 Kiosk dimensions



14.5 Roof dimensions

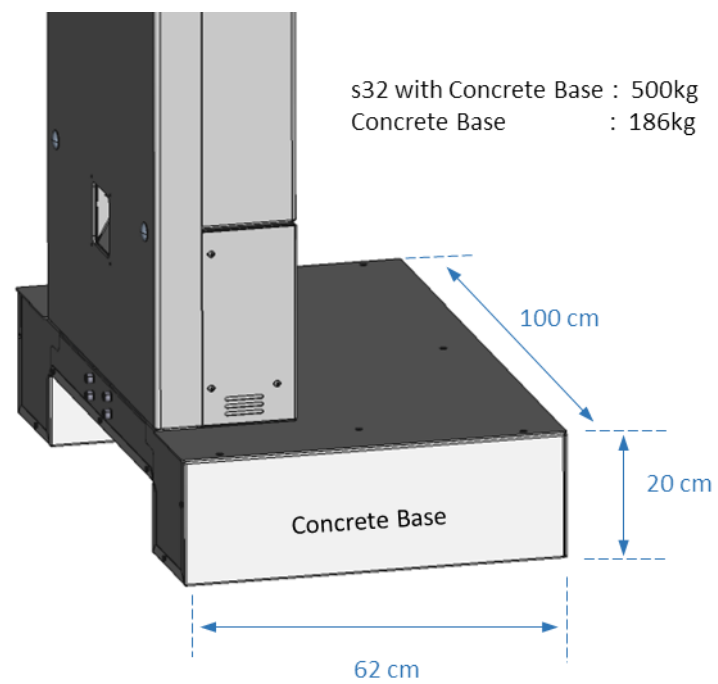


Roof side view

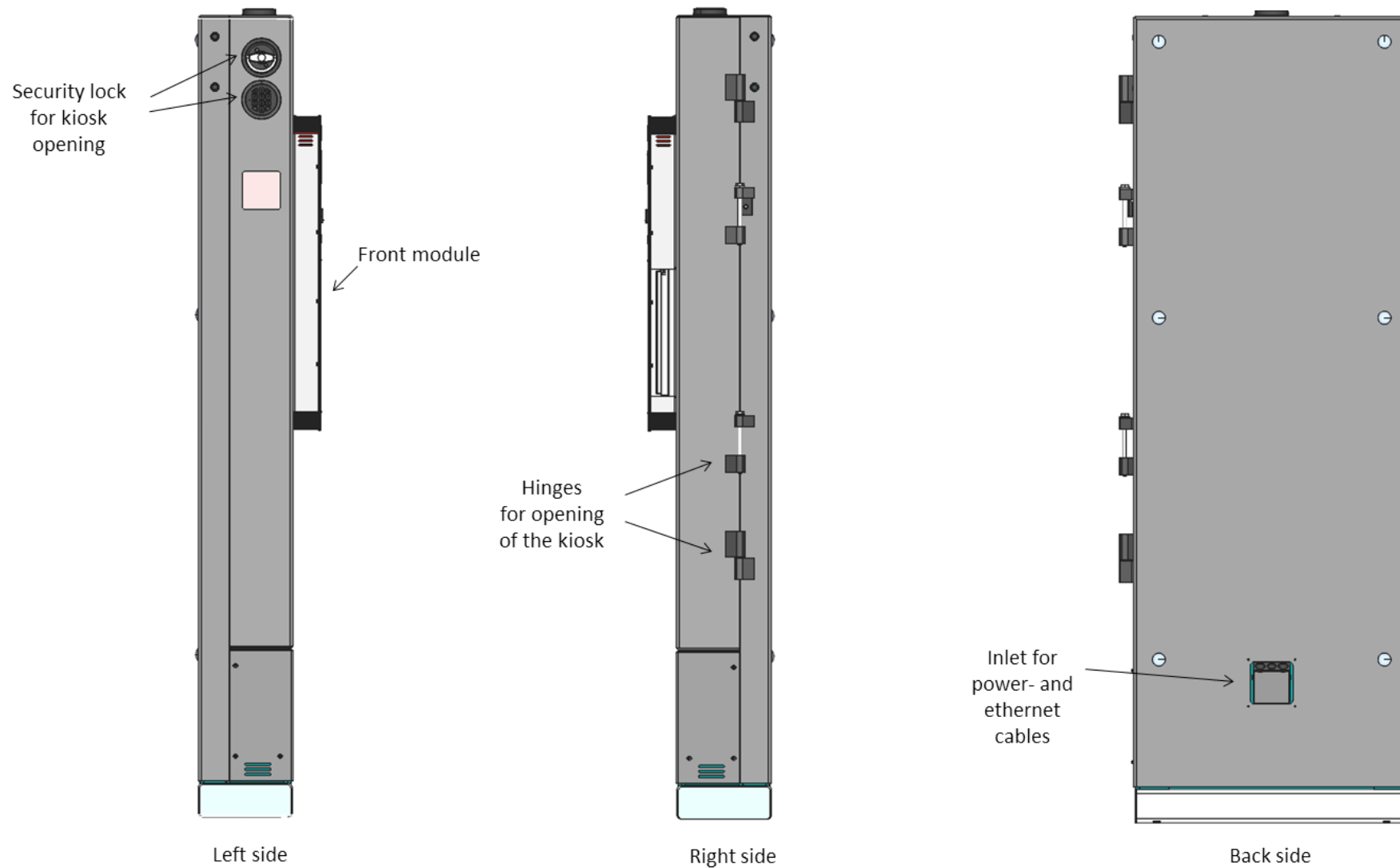


Roof front view

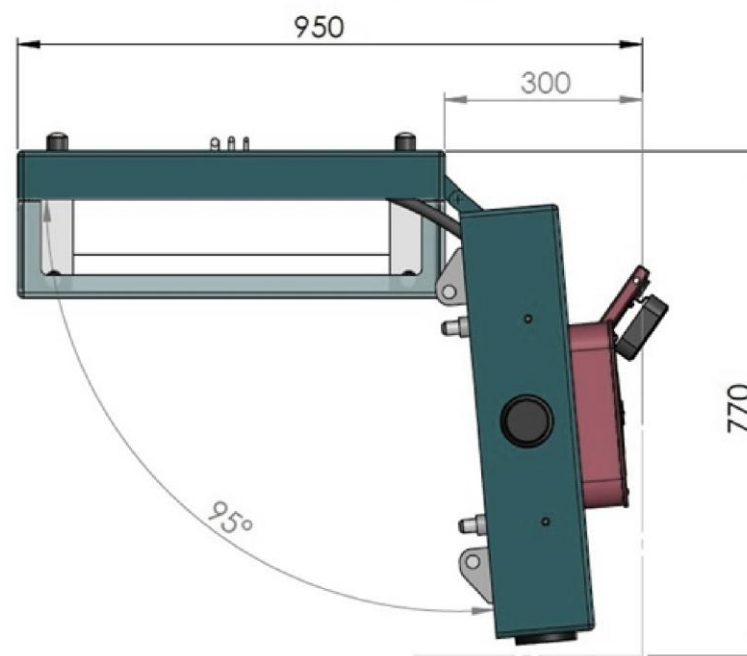
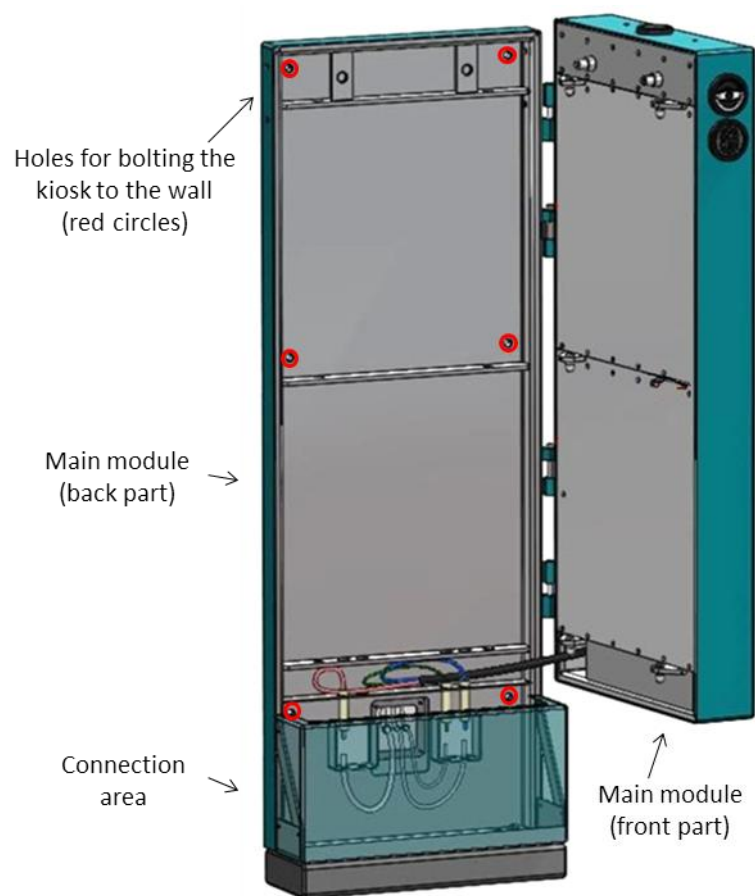
14.6 Concrete Base dimensions



14.7 Misc mechanical info



14.8 Kiosk opening



s32 top view

Note: This is used for emergency situations or when bolting the kiosk to the wall.